

# SFR-M Network Fingerprint Access Control & Time Attendance Terminal



Quickly and accurately read the fingerprint data, high image quality optical fingerprint reader can be installed independently, can also be combined with the use of the control panel Wiegand 26 protocol, performance is quite stable. Via TCP / IP and RS232 / 485 communication protocols used in different networks via TCP / IP protocol so that data easily within a few seconds of transmission between the machine and computer.

1. 1000 fingerprint templates stored and 100,000 data
2. Standard access control functions
3. Built-in serial port can be used with third-party control panels use
4. Built-WG output port can be connected to third-party control panels
5. Support multiple language
6. Anti demolition and alarm functions

## Product Details



### Streamline Design

Beautiful shape and easy to use



### 2.4 inch TFT-LCD

2.4 inch TFT-LCD widescreen HD TFT Crystal display



### Built-in Keypad

Standard 4\*4 keypad



### Large Capacity Storage

Supports 3000 finger prints and 3000 cards



### Built-in standard USB

It supports USB communication and U disk to download



### Hanging Installation

With a metal mounted plate support hanging installation



### Anti-tamper and Alarm

With a metal mounted plate support hanging installation



### Multifunctional Access Control Interface

3rd party electric lock, door sensor, exit button, alarm, doorbell



### Network Synchronization

The operation can be done on the device through FR-M2 Keypad, also can be done on PC software and uploaded to the device through TCP/IP, RS485 communication

## Product Features



### 2.4 inch TFT-LCD

2.4 inch TFT-LCD widescreen HD TFT Crystal display



### Built-in Buzzer

Prompt audio acceptance or rejection signals for valid or invalid



### Built-in Keypad

Standard 4\*4 keypad



### Multiple Languages

Supports English, Chinese, Korean. Other languages can be customized



### Anti-Tamper and Alarm

Support intimidation alarm, tamper alarm, forced door opening alarm, forced door opening overtime alarm, entrance point alarm



### Communication

Standard USB, U disk download, RS485 read, TCP/IP Network



### Opening Mode

Fingerprint, password, password + fingerprint



### Capacity Storage

1000 fingerprint templates stored and 100,000 data



### Wiegand Output

Wiegand Output function can connect access controllers as an access reader

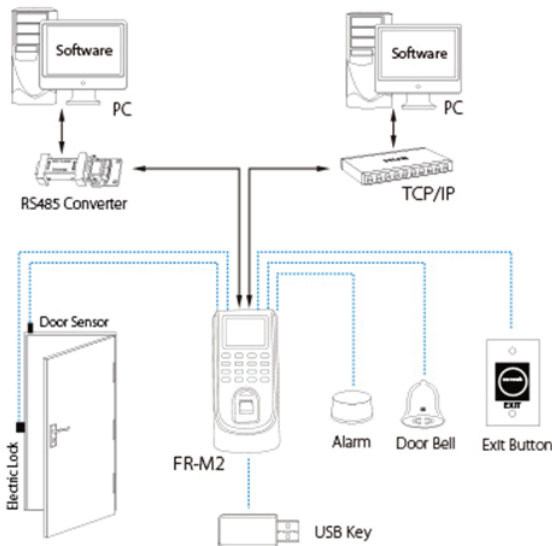


# SFR-M Network Fingerprint Access Control & Time Attendance Terminal

## TECHNICAL SPECIFICATIONS

Fingerprint Capacity	1000
ID Card Capacity	1000
Record Capacity	100000
Display	2.4inch HD LCD screen
Communication	U disk, USB, RS485, TCP/IP
Scanner	High precision total reflection optic scanner
Suggestion of installing distance	140-150cm
High precision total reflection optic scanner	1:N 1:1
Alarm Function	Intimidation alarm, tamper alarm, forced door-opening alarm, door-opening overtime alarm, entrance point alarm
Standard Functions	Access control interface for 3rd party electric lock,doorsensor,exitbutton,alarm
Optional Functions	ID/Mifare/HID, Webserver, 9 digit user ID, and Wi-Fi, ADMS
Power Supply	DC 12V
Verification Speed	≤0.5 sec
Operating Temp.	0°C- 45°C
Operating Humidity	20%-80%
Dimension	180*86*49mm(Length×Width×Thickness)
Gross Weight	0.65kg

## Configuration





# SFR-F18 Network Fingerprint Access Control & Time Attendance Terminal

SFR-F18 Fingerprint Access Control & Time Attendance Terminal is an innovative biometric fingerprint reader for access control application. The Terminal features the fastest commercial-based fingerprint matching algorithm and high-performance, high-image quality infrared detection fingerprint sensor. The device offers flexibility to be installed standalone or with any third party access control panels that support standard Wiegand signal. All the operations can be done on the TFT-LCD color screen. The fingerprint image will be displayed on it. That will guide user to put finger on proper position and increase recognition rate. TCP/IP and RS485 are available that the device can be used in different network.

1. TFT Color Screen
2. Slim and Elegant Design
3. Fast and Accurate Fingerprint Algorithm
4. Full Access Control Features
5. Easy Installation and Connectivity
6. Easy Operation and Management
7. Built-in Serial and Ethernet Ports

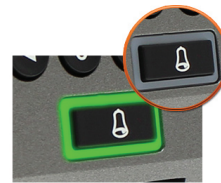
## Product Details



**Slim & Elegant Design**  
Sleek and slim for narrow places



**Display Screen**  
Display: TFT LCD color screen



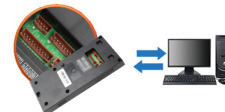
**LED Status Indicator**  
LED indicators acceptance or rejection signals for valid or invalid



**Built-in Keypad**  
Standard 4\*4 keypad



**Capacity Storage**  
Supports 3000 finger prints and 30,000 cards



**Easy Installation & Connectivity**  
Wiegand input and output. Network interface by TCP/IP or RS485



**Built-in Standard USB**  
It supports USB communication and U disk to download



**Doorbell Button**  
The doorbell button and interface: buttons and isolation circuit, connect to any external bell



**Anti-tamper and Alarm**  
Support intimidation alarm, tamper alarm, forced door opening alarm, forced door opening overtime alarm, entrance point alarm



**Hanging Installation**  
With a metal mounted plate support hanging installation



**Multifunctional Access Control Interface**  
Anti-passback. Webservice. Access control interface for 3rd party electric lock, door sensor, exit button a alarm and doorbell

## Product Features

**TFT-LCD Color Screen**  
Display: TFT LCD color screen

**Built-in Speaker**  
Prompt audio acceptance or rejection signals for valid or invalid

**Built-in Keypad**  
Standard 4\*4 keypad and doorbell

**LED Status Indicators**  
LED indicators acceptance or rejection signals for valid or invalid

**Anti-Tamper and Alarm**  
Support intimidation alarm, tamper alarm, forced door opening alarm, forced door opening overtime alarm, entrance point alarm

**Communication**  
Network Interface by TCP/IP or RS485

**Opening Mode**  
Fingerprint, password, password + fingerprint

**Capacity Storage**  
3000 fingerprint templates stored and 30,000 transactions

**Wiegand Output/Input**  
Support standard Wiegand signal Wiegand Input/Output

**Doorbell Button**  
The doorbell button and interface: buttons and isolation circuit, connect to any external bell

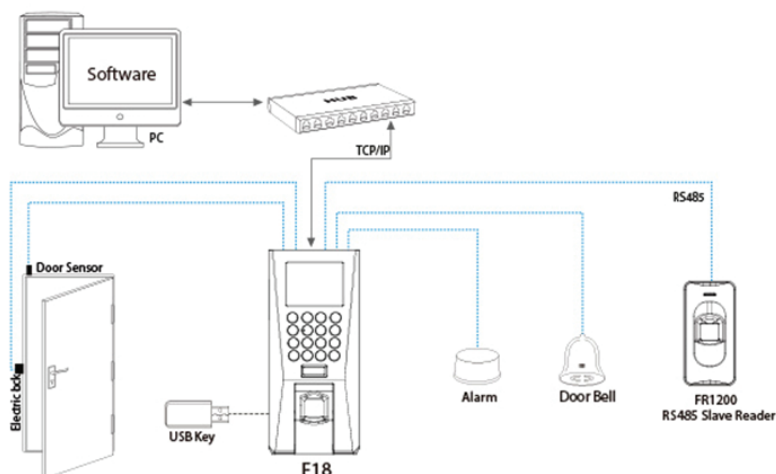


# SFR-M Network Fingerprint Access Control & Time Attendance Terminal

## TECHNICAL SPECIFICATIONS

Fingerprint Capacity	1500
Record Capacity	50000
Display	TFT LCD Color Screen
Communication	TCP/IP, RS232/485, USB-host
Access Control Functions	3rd Party Electric Lock, Anti-passback, Door Sensor, Exit Button, Alarm, Doorbell
Wiegand Signal	Wiegand Input and Output
Optional Functions	ID/Mifare/HID, Webserver
Power Supply	DC 12V
Verification Speed	≤0.5 sec
Operating Temp.	0°C - 45°C
Operating Humidity	20% - 80%
Dimension	183mm*80mm*42mm (Length*Width*Thickness)
Gross Weight	0.82kg

## Configuration



# SFR-220 Network Fingerprint Access Control System



SFR-220 Fingerprint Access Control System with 2.4 inch high-definition color screen, stylish appearance design, digital keypad easy to input use and function, Large capacity can store 100000 records of data, it can be used stand-alone and networked, it was designed based on ARM9, mating access control software which can enable multi-function and personalized attendance and access control, create real intelligent access platform.

- 2.4-inch TFT-LCD widescreen HD TFT crystal display is visually realistic images
- Friendly graphical man-machine mutual interface and prompt, easy to operate
- Standard USB communications, RS485 read, U disk download, TCP / IP network, meet demand for data transmission in different environments
- Built-in RFID card reader, optional Mifare
- Wiegand input and output, wired doorbell, relay output, door interfaces, alarm signal output interface, make the products and applications with large scalability
- A variety of identification: fingerprint, cards, passwords, etc., to ensure the integrity and security of data
- Built-in 17 languages interface, meet the application requirements of each country

## Product Details



### Stylish Appearance

Digital Keypad easy to input use and function. set. Large capacity can store 1000000 records of data



### 2.4 inch TFT-LCD

2.4 inch TFT-LCD widescreen HD TFT Crystal display



### LED Status Indicator

LED indicators acceptance or rejection signals for valid or invalid



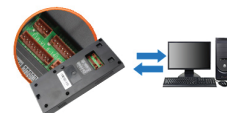
### Built-in Keypad

Standard 4\*4 keypad



### Capacity Storage

Supports 1,800 finger prints and 1,800 cards



### Network Synchronization

The operation can be done on the device through FR-220 keypad, also can be done on PC software and uploaded to the device through TCP/IP, RS485 communication



### Built-in Standard USB

It supports USB communication and U disk to download



### Doorbell Button

The doorbell button and interface: buttons and isolation circuit, connect to any external bell



### Anti-tamper and Alarm

Against tampering, door unclosed and unauthorized opening, 1-call alarm signal output



### Multifunctional Access Control Interface

Anti-passback. Webserver. Access control interface for 3rd party electric lock, door sensor, exit button a alarm and doorbell

## Product Features



### TFT-LCD Color Screen

Display: TFT LCD color screen



### Built-in Voice Prompts

Prompt audio acceptance or rejection signals for valid or invalid



### Built-in Keypad

Standard 4\*4 keypad



### LED Status Indicators

LED indicators acceptance or rejection signals for valid or invalid



### Anti-Tamper and Alarm

Support intimidation alarm, tamper alarm, forced door opening alarm, forced door opening overtime alarm, entrance point alarm



### Multiple Languages

Built-in 17 language interface, meet the application requirements of each country



### Communication

Standard USB, U disk download, RS485 read, TCP/IP network



### Opening Mode

Fingerprint, password. password + fingerprint fingerprint + card



### Capacity Storage

Fingerprint capacity: 1,800 Card capacity: 1,800



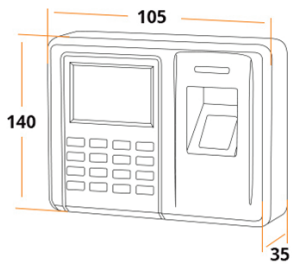
### Wiegand 26/34 output

Wiegand output function can connect access controllers as access readers



### Doorbell Button

The doorbell button and interface: buttons and isolation circuit, connect to any external bell



## SFR-220 Network Fingerprint Access Control & Time Attendance Terminal

### TECHNICAL SPECIFICATIONS

CPU	32-bit ARM
Fingerprint sensor	Subminiature optical fingerprint scanner
Fingerprint activation method	Optical sensing
Fingerprint collecting area	17mm*19mm
Fingerprint capacity	3000
Card capacity	3000
Comparison mode	Fingerprint, card, password, password + fingerprint, fingerprint + card
Identification time	< 1 second
Communication interface	USB flash disk, USB, RS485 & TCP/IP
Prompt tone	Human voice
Electric lock	Direct control
Relay	DC 12V
Wiegand	Wiegand 26/34 output
Door sensor	1-call detection
Alarm	Against tampering, door unclosed & unauthorized opening, 1-call alarm signal output (other alarms can be customized)
Shell	ABS
Operation temperature	0 ~ 45°C (32°~113°F)
Dimensions	140x105x35mm
Gross Weight	0.65kg
Applications	SME, hotel, restaurant, real estate industry, government office, financial industry, educational and training institution

### Configuration

